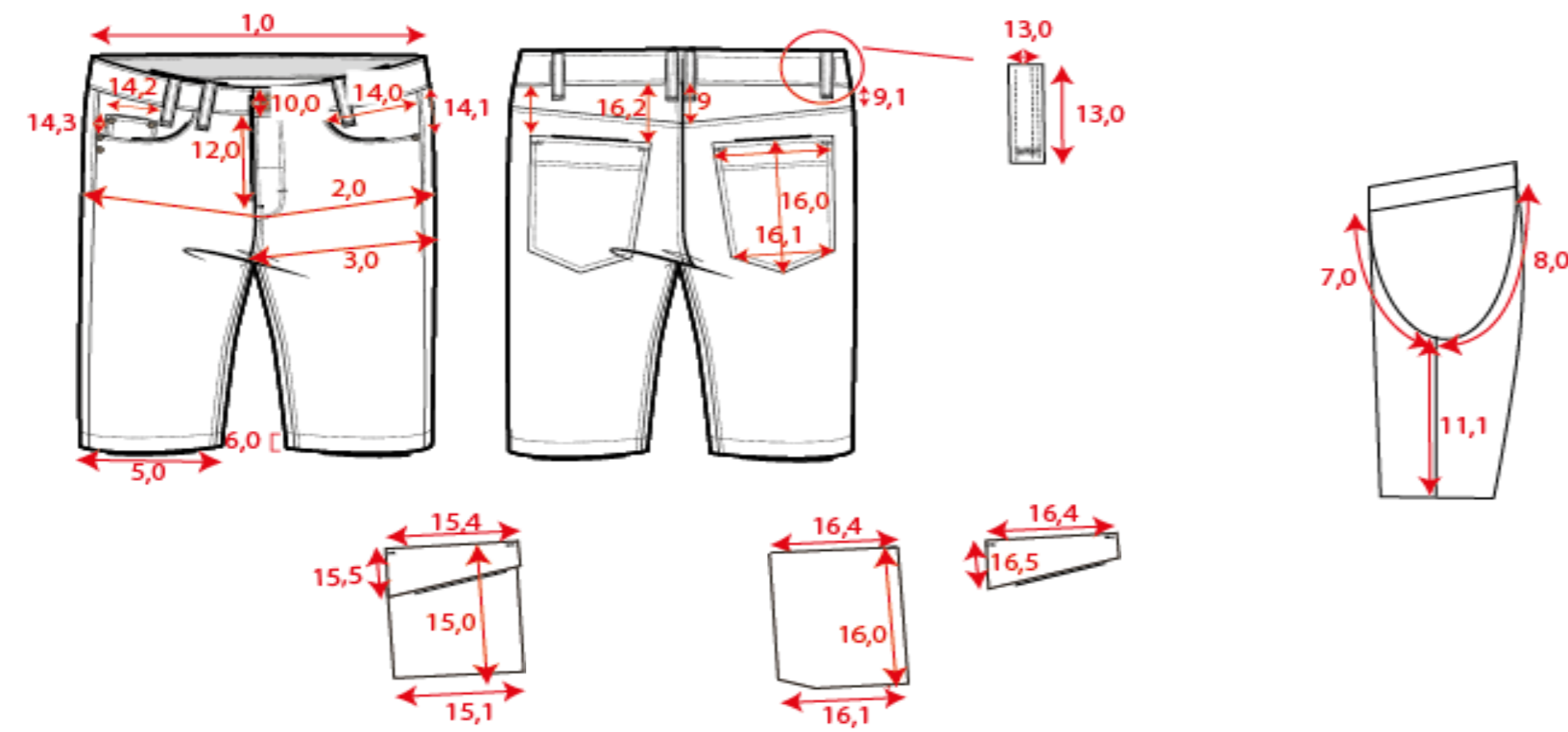


Production Size Specification

TRICORP



Sketch is for how to measure NOT for style

Stylenumber:	502025
Styledescription:	Werkbroek Twill short
Productgroup:	Trousers
Label:	Workwear
Sexe:	Men
Fabric Description:	Twill mechanical stretch
Compositon:	polyester/ cotton 65/35 /mechanical stretc
Weight:	245 gm2
Color:	Darkgrey, Navy,Black, Ink, Army
Spec from batch nr:	
Date:	10-1-2018

	42	44	46	48	50	52	54	56	58	60	62	64	66	Tol
Tricorp total body length	179-190	179-190	179-190	179-190	179-190	179-190	179-190	179-190	179-190	179-190	179-190	179-190	179-190	
1,0 1/2 Waist relaxed	35	37,5	40	42,5	45	47,5	50	52,5	55	57,5	61,5	65,5	69,5	1,0
2,0 1/2 Hip (under zip)	45	47,5	50	52,5	55	57,5	60	62,5	65	67,5	71,5	75,5	79,5	1,0
11,1 Inseam, short	31	31,5	31,5	32	32	32,5	32,5	33	33	33,5	33,5	33,5	33,5	0,5